

防水平面旋轉手柄



TM-553-1

Waterproof plane rotary handle



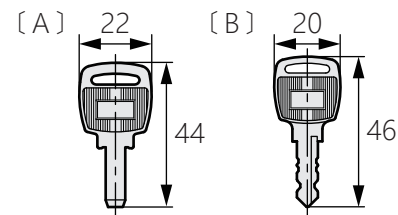
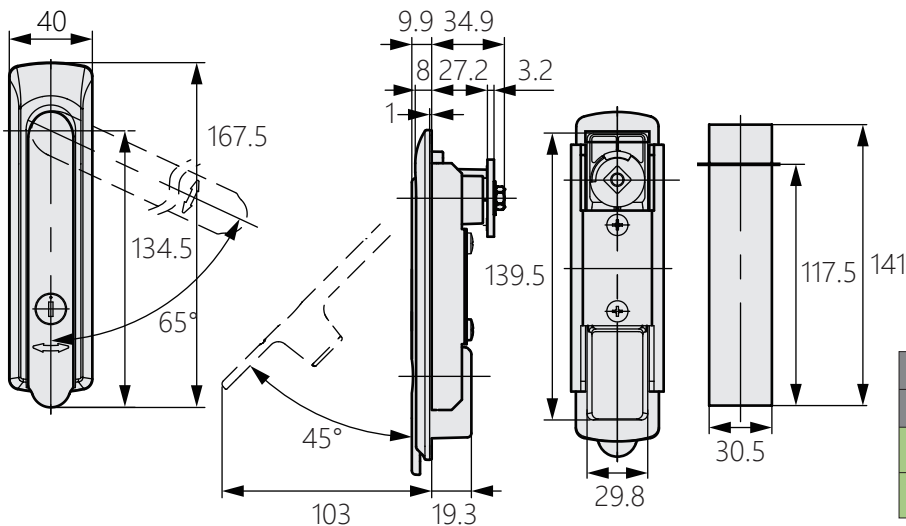
商品介紹 Product description

- 1.左右兼用型。
- 2.抗震門鎖結構。
- 3.防水性能佳。

- 材質：鋅合金
- 表面處理：黑色噴漆、鍍鉻
- 用途：IT設備、配電盤等

1. Both left and right type.
2. Anti-seismic latch structure.
3. Good waterproof performance.

- Material: Zinc alloy(ZDC)
- Finish: Black spray paint, chrome plating
- Uses: IT equipment,switchboards,etc.



商品型號		鑰匙
鍍鉻	黑色噴漆	
TM-553-1-1V	TM-553-1-1B	B
TM-553-1-2V	TM-553-1-2B	A