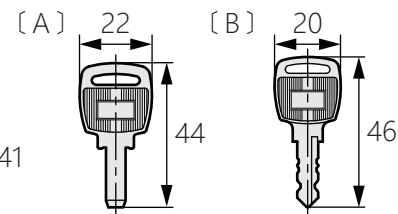
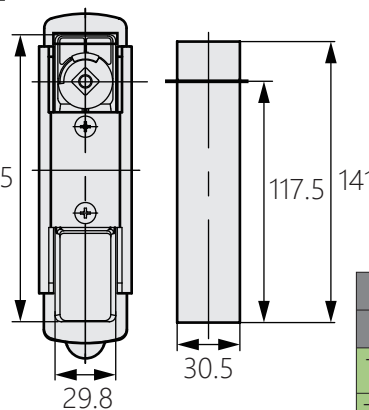
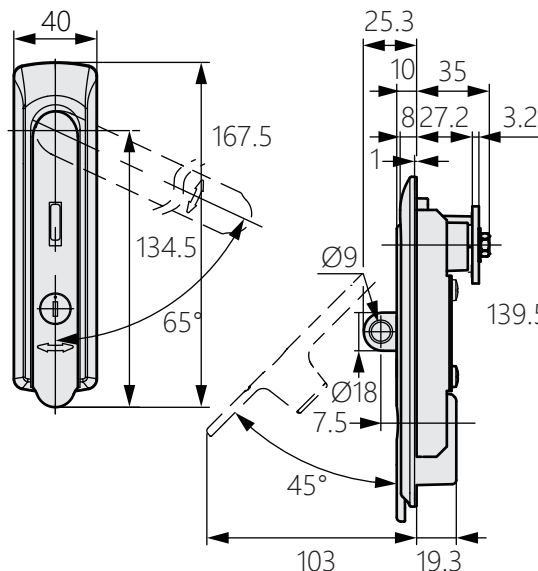


雙鎖手柄



TM-553-2

Handle for double locking



商品介紹 Product description

- 1.左右兼用型。
- 2.雙鎖結構有出色的安全性。

- 材質：鋅合金
- 表面處理：黑色噴漆、鍍鉻
- 用途：IT設備、配電盤等

1. Both left and right type.
2. Double lock structure provides excellent security.

- Material: Zinc alloy(ZDC)
- Finish: Black spray paint, chrome plating
- Uses: IT equipment,switchboards,etc.

商品型號		鑰匙
鍍鉻	黑色噴漆	
TM-553-2-1V	TM-553-2-1B	B
TM-553-2-2V	TM-553-2-2B	A