

氣密大手柄



TM-557

Large handle for airtight

商品介紹 Product description

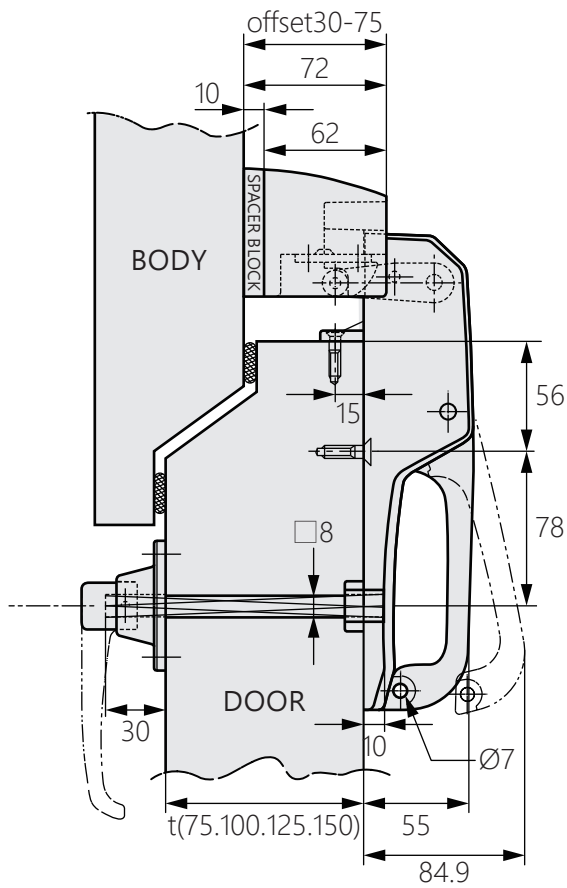


1. 經久耐用、耐腐蝕。
2. 另可選配安全裝置TG-100S系列。

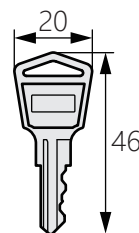
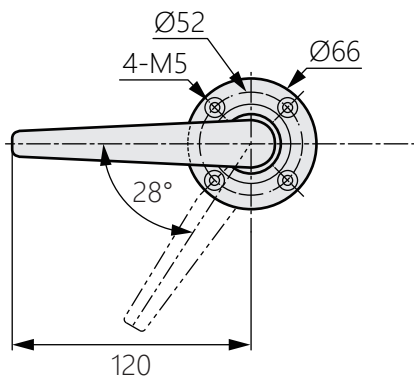
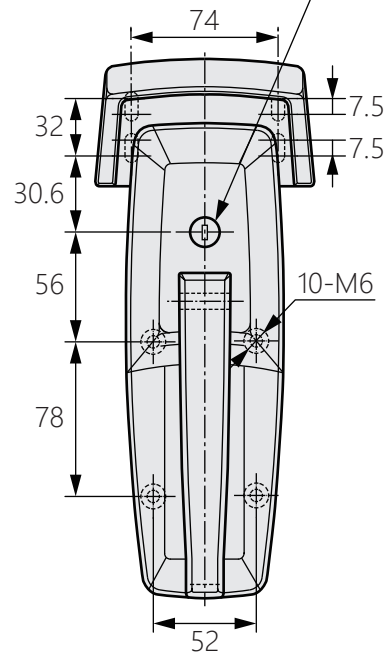
- 材質：鋅合金(ZDC)
- 表面處理：鍍鉻
- 用途：冰箱、冰櫃、倉庫等

1. Durable and corrosion-resistant.
2. An optional safety device is also available TG-100S series.

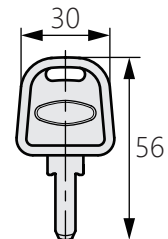
- Material: Zinc alloy(ZDC)
- Finish: Chrome plating
- Uses: Refrigerator, freezer, warehouse, etc.



商品型號	鎖孔形狀
TM-557-1	
TM-557-2	



*TM-557-1搭配鑰匙



*TM-557-2搭配鑰匙

[TG-100S系列]