

商品介紹 Product description

1. 經久耐用、耐腐蝕。
2. Strike 安裝在內部，不能從外部侵入。

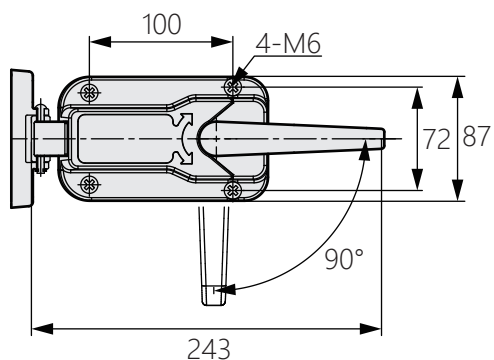
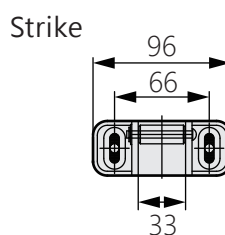
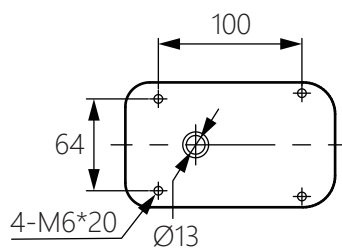
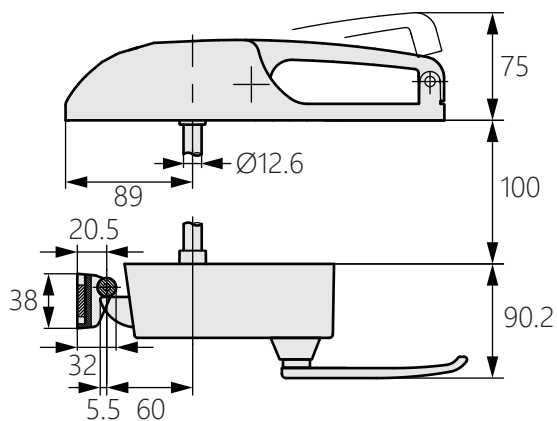
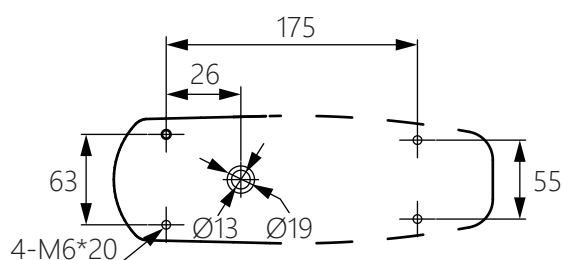
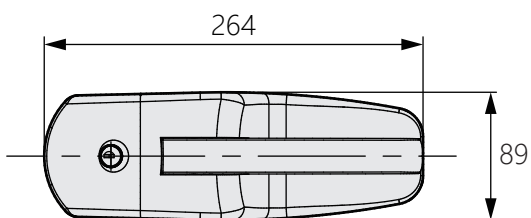
- 材質：鋅合金(ZDC)
- 表面處理：鍍鉻
- 用途：冰箱、冰櫃、倉庫等

1. Durable and corrosion-resistant.
2. Strike is installed inside and can't be trespassing from outside.

- Material: Zinc alloy(ZDC)
- Finish: Chrome plating
- Uses: Refrigerator, freezer, warehouse, etc.



開孔尺寸



安裝示意圖

