

側面附帶把手



TM-569

Handle for side attachment



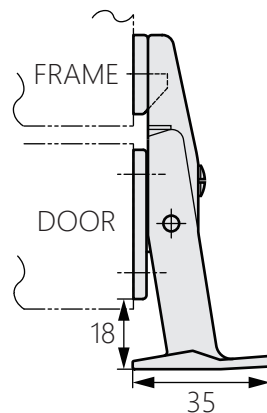
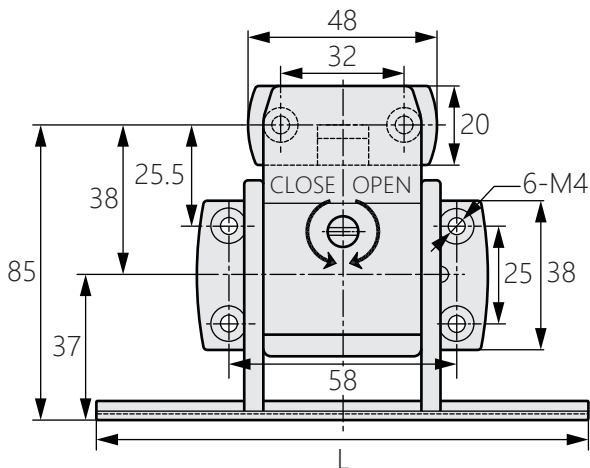
商品介紹 Product description

- 1.自動綁定裝置水平連接到門的一側。
- 2.可以用硬幣解鎖。

- 材質：鋅合金
- 表面處理：鍍鉻
- 用途：烤箱、工業機械等

1. The automatic binding device is connected horizontally to one side of the door.
2. Can be unlocked with coins.

- Material: Main frame-Zinc alloy(ZDC)
- Finish: Chrome plating
- Uses: Ovens, industrial machinery, etc.



商品型號	L
TM-569-1	150
TM-569-2	125
TM-569-3	100