

氣密側連手柄

Side linked handle for airtight



TM-573



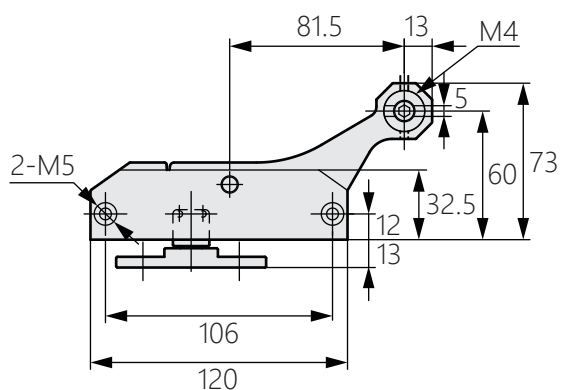
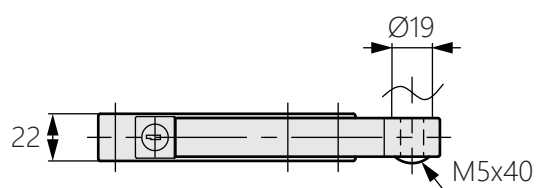
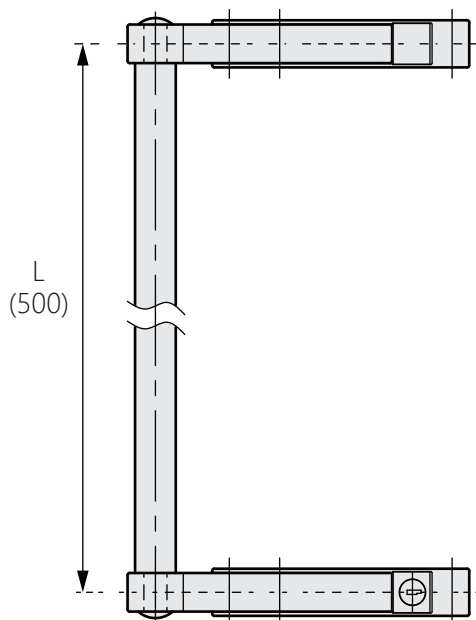
商品介紹 Product description

適合安裝在門的側面。

- 材質：主體-鋅合金(ZDC)、手柄-不鏽鋼(SUS304)
- 表面處理：鍍鉻
- 用途：冰箱、倉庫等

Suitable for installation on the side of the door.

- Material: Main frame-Zinc alloy(ZDC)
Handle-stainless(STS304)
- Finish: Chrome plating
- Uses: Refrigerators,warehouses,etc.



示意圖

