

開關鎖



TM-609

Switch lock

商品介紹 Product description

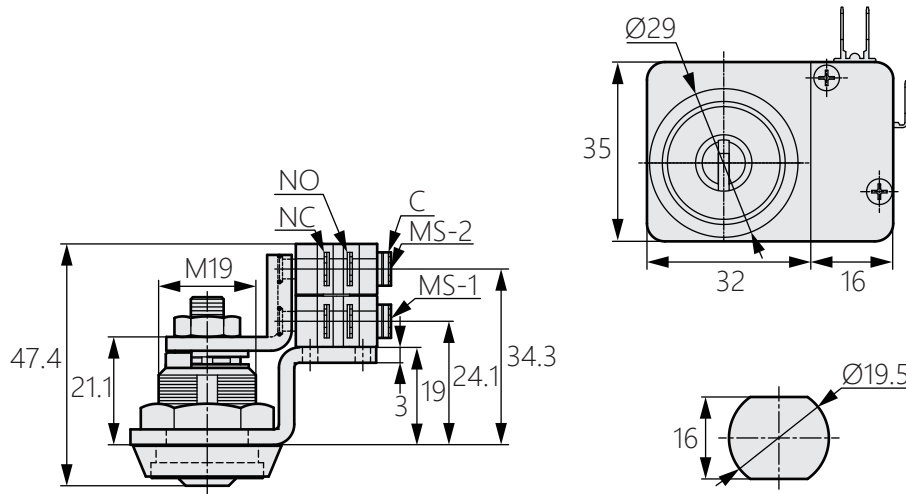
開關額定值：AC250V 3A · DC14V 5A。



- 材質：黃銅(BsBM)
- 表面處理：鍍鉻
- 用途：配電盤

Switch rating: AC250V 3A, DC14V 5A.

- Material: Brass(BsBM)
- Finish: Chrome plating
- Uses: Distributing panel, etc.



Position	MS-1	MS-2
A		
B		