

側門裝迫緊把手鎖



TM-611-2

Side door equipped with tight handle lock

商品介紹 Product description

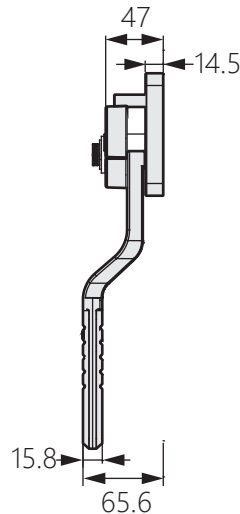
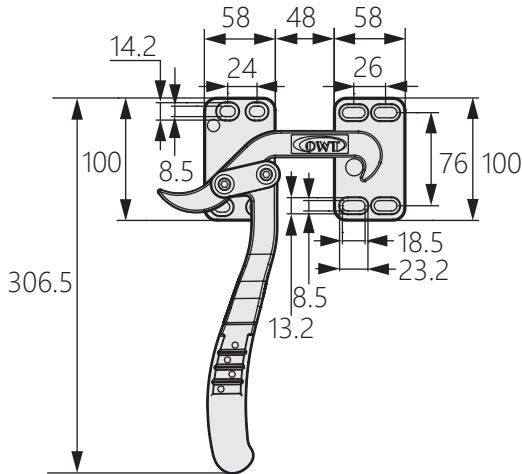
- 1.側門安裝，槓桿原理使門的開關更輕鬆。
- 2.適用於大型門的迫緊密封用途。



- 材質：不鏽鋼(SUS304)
- 表面處理：鏡面拋光
- 用途：烤箱、恆溫恆濕箱、環境試驗箱等

1. The side door is installed, the lever principle makes it easier to open and close the door.
2. Suitable for tight sealing of large doors.

- Material: Stainless steel(SUS304)
- Finish: Mirror polishing
- Uses: Oven, constant temperature and humidity box, environmental test box, etc.



安裝示意圖

