

高溫烤箱把手鎖



TM-6189

High temperature oven handle lock

商品介紹 Product description

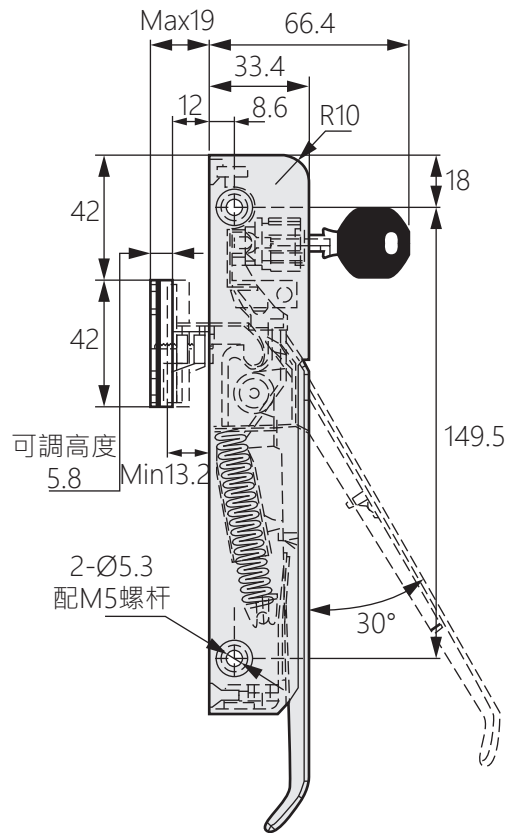
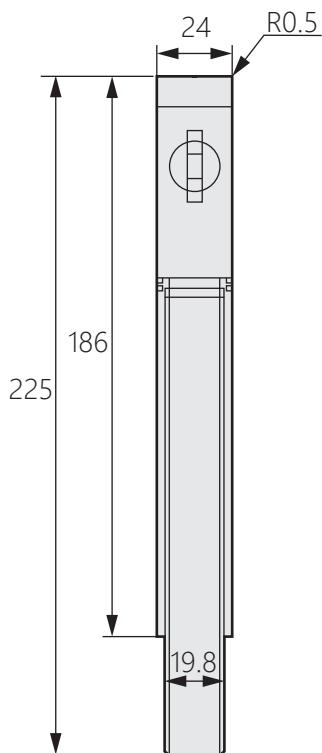
- 1.側門安裝，迫緊舌可調節，有高矮選配。
- 2.調節高度範圍14.8-30之間。



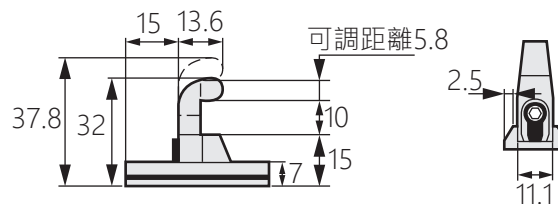
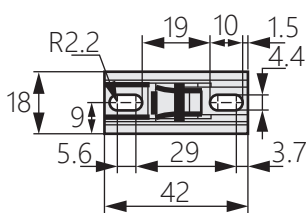
- 材質：鋅合金
- 表面處理：電鍍亮鉻
- 用途：生物醫療箱、高溫烤箱、環境試驗設備等

1. The side door is installed, the tightening tongue can be adjusted, and the height is optional.
2. The adjustable height range is between 14.8-30.

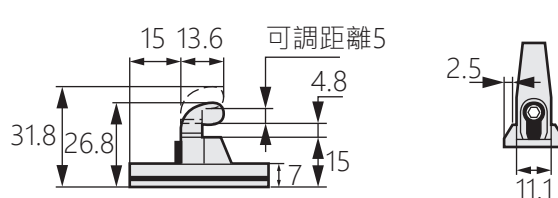
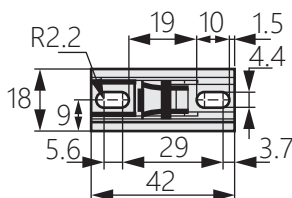
- Material: Zinc alloy(ZDC)
- Finish: Bright chrome plating
- Uses: Biological medical box,high temperature oven,environmental test equipment,etc.



[TH-6189-1] 高座尺寸圖



[TH-6189-2] 矮座尺寸圖



| 商品型號 | 樣式 |
|-----------|----|
| TM-6189 | 把手 |
| TH-6189-1 | 高座 |
| TH-6189-2 | 矮座 |