

側拉門把手



TM-701

Side pull door handle

商品介紹 Product description

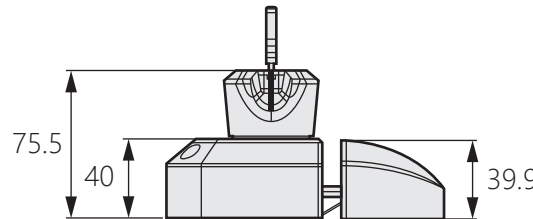
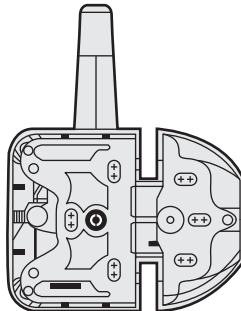
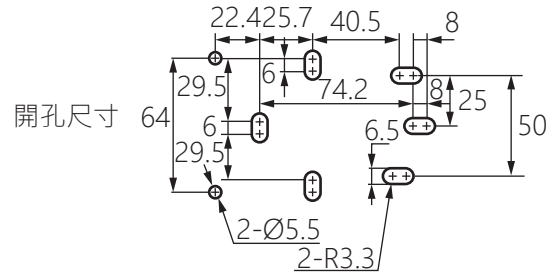
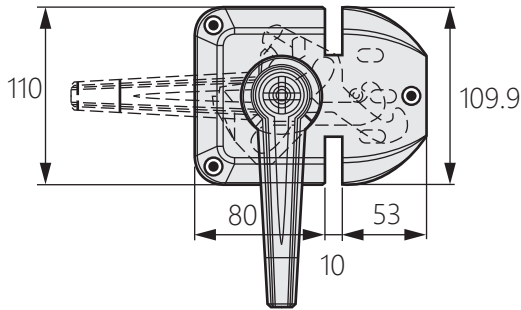
- 1.有壓縮迫緊功能，最大壓縮行程約15-18mm。
- 2.全新外觀專利設計。



- 材質：鋅合金
- 表面處理：銀色噴塗
- 用途：深低溫儲藏箱、醫療冷藏箱、試驗箱

1. With compression function, the maximum compression stroke is about 15-18mm.
2. Brand new appearance patent design.

- Material: Zinc alloy(ZDC)
- Finish: Silver spray
- Uses: Deep low temperature storage box, medical refrigerator, test box.



商品型號	樣式
TM-701-L	左開
TM-701-R	右開