

Quarter turn waterproof lock

商品介紹 Product description

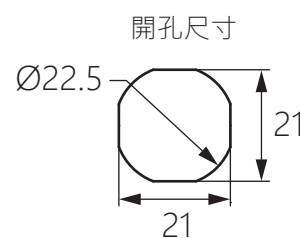
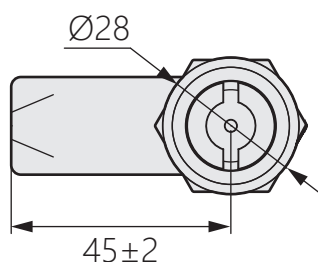
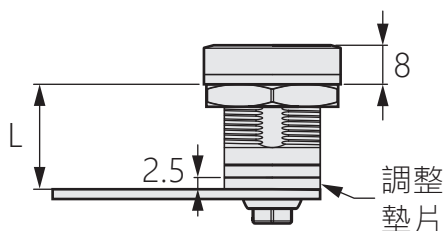
1. 防水設計：內部設置 O 型環，外部使用防水墊片。
2. 變換擋片與調整墊片可改變“L”尺寸（門擋片深度）



- 材質：鋅合金(ZDC)
- 表面處理：黑色塗裝
- 檔片選擇：TH-4500-S, TH-4500
TH-4507-S, TH-4507
TH-4516-S, TH-4516
- 用途：機櫃、配分電盤、機械設備

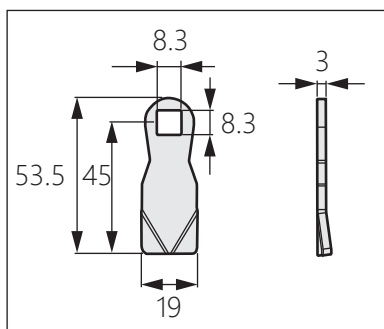
1. Waterproof design: O-ring is set inside and waterproof gasket is used outside.
2. Changing the baffle and adjusting shim can change the "L" size (the depth of the door baffle)

- Material: Zinc alloy(ZDC)
- Finish: Black painting
- File selection: TH-4500-S, TH-4500
TH-4507-S, TH-4507
TH-4516-S, TH-4516
- Uses: Cabinets, distribution and distribution panels, mechanical equipment.

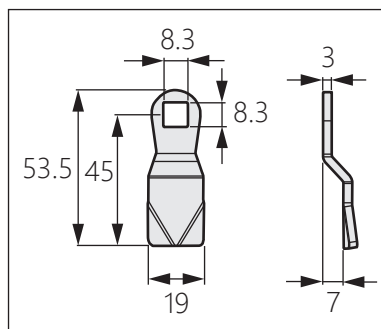


檔片型號	可調節深度“L”		
TH-4500	16	18.5	21
TH-4507	23	25.5	28
TH-4516	32	34.5	37

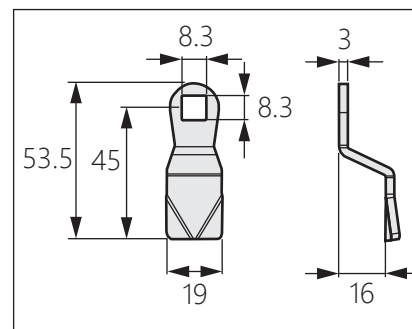
[TH-4500-S]
[TH-4500]



[TH-4507-S]
[TH-4507]



[TH-4516-S]
[TH-4516]



商品型號	材質
TH-4500	鐵
TH-4500-S	不鏽鋼

商品型號	材質
TH-4507	鐵
TH-4507-S	不鏽鋼

商品型號	材質
TH-4516	鐵
TH-4516-S	不鏽鋼