

防水平面把手



TM-710

Waterproof flat lift and turn latch



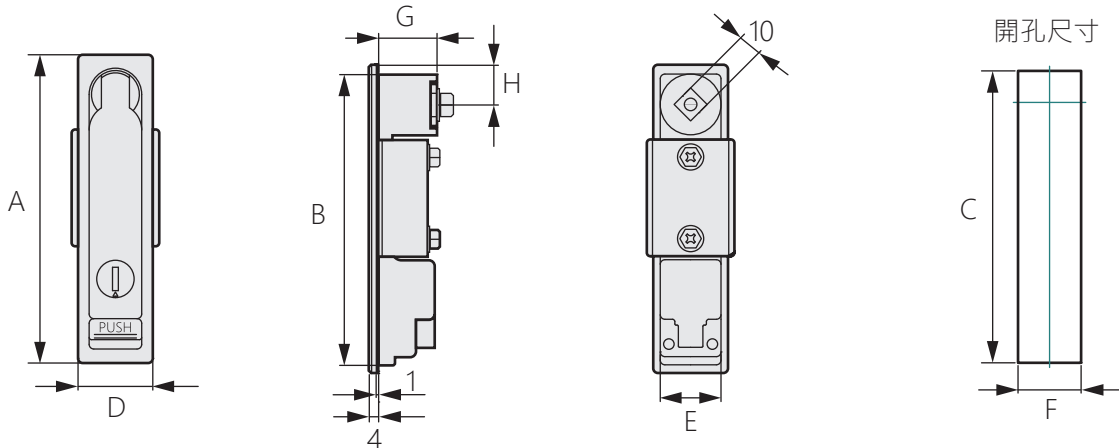
商品介紹 Product description

1. 防水設計：內部設置O型環，外部使用防水墊片。
2. 左右兼用：變更門擋片及方向限位擋板的方向。

- 材質：鋅合金
- 表面處理：鍍鉻
- 用途：機櫃、配分電盤、機械設備

1. Waterproof design: O-ring is set inside and waterproof gasket is used outside.
2. Both left and right: change the direction of the door stopper and the direction limit baffle.

- Material : Zinc alloy(ZDC)
- Finish : Chrome plating
- Uses : Cabinets, distribution and distribution panels, mechanical equipment.



商品型號	A	B	C	D	E	F	G	H
TM-710-1	149	140	141	40	29	30	36	20
TM-710-2	132	124	125	32	26	27	25	17
TM-710-3	92	84	85	33.5	26.5	27.5	30	17