

Flat handle

商品介紹 Product description

左右開門通用：變更門擋片以及方向限位擋板的方向，即可左右開門使用。

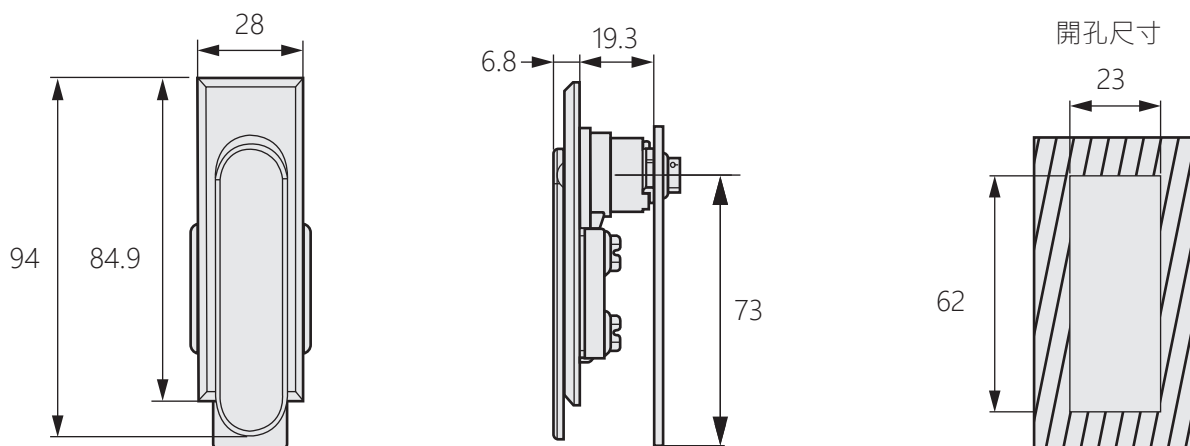


- 材質：鋅合金
- 表面處理：黑色塗裝
- 用途：配電盤、控制盤、機械設備。

Change the direction of the door stopper and the direction limit baffle to open the door left and right.

- Material : Zinc alloy(ZDC)
- Finish : Black painting
- Uses : Switchboards, control panels, mechanical equipment.

[TM-717-1]



[TM-717-2]

