

Rotation type compression latch

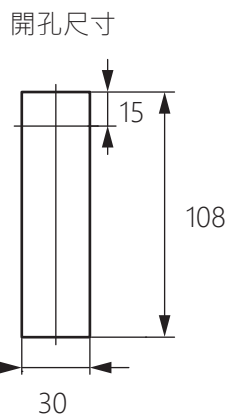
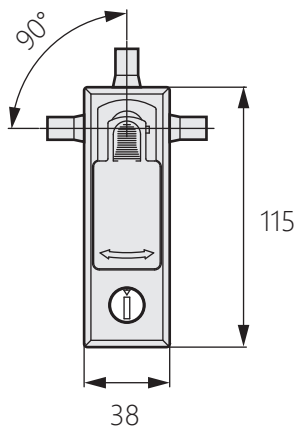
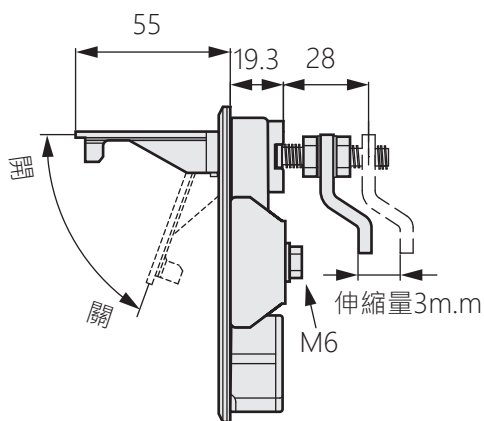
### 商品介紹 Product description

1. 雙重功能：壓縮式門鎖和門把手在同一個組件。
2. 易安裝、操作。只要拉起手柄就能釋放壓，轉動就將門擋片從門框中旋轉出來。
3. 多種門擋片選項和可調整的門擋片定位，門鎖型號適應多種間距尺寸。

- 材質：鋅合金
- 表面處理：黑色塗裝、鍍鉻
- 用途：通信用電箱、電控箱等。

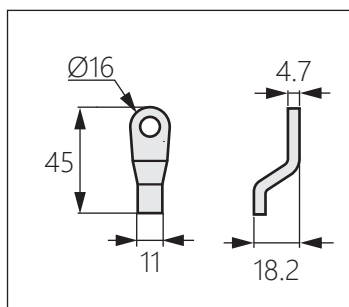
1. Dual function: the compression door lock and the door handle are in the same component.
2. Easy to install and operate. As long as the handle is pulled up, the pressure can be released, and the rotation will rotate the door stopper out of the door frame.
3. A variety of door stopper options and adjustable door stopper positioning, door lock models adapt to a variety of spacing sizes.

- Material : Zinc alloy(ZDC)
- Finish : Black painting 、Chrome plating
- Uses : Communication boxes, electric control boxes, etc.



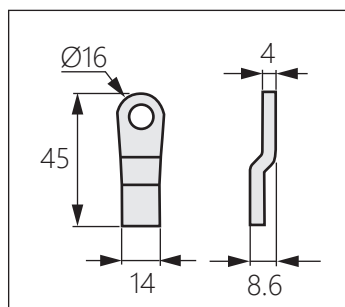
商品型號	表面處理
TM-727-1	黑色塗裝
TM-727-2	亮鉻

[ TH-005 ]



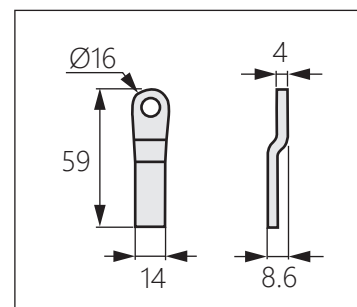
商品型號	調節深度
TH-005(內)	21-27
TH-005(外)	49-55

[ TH-007 ]



商品型號	調節深度
TH-007(內)	29-36
TH-007(外)	40-46

[ TH-008 ]



商品型號	調節深度
TH-008(內)	29-36
TH-008(外)	40-46