

# 提轉型壓縮式門鎖



## TM-7322

Transforming compression type door lock

商品介紹 Product description

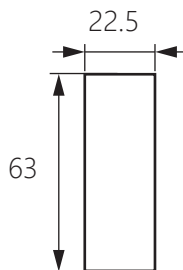
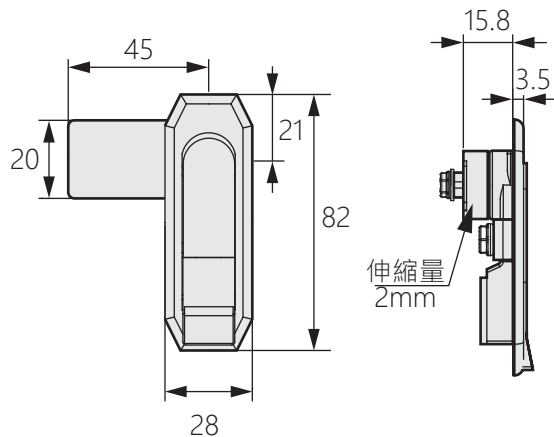
按鍵下推後手柄彈起，擋片解除壓縮，旋轉手柄開啓箱門。



- 材質：鋅合金
- 表面處理：黑色、銀色
- 用途：機箱、配電盤、電控箱等

After the button is pushed down, the handle pops up, the baffle is released from compression, and the handle is turned on box door.

- Material: Zinc alloy(ZDC)
- Finish: Black painting、Silver painting.
- Uses: Chassis,switchboard,electric control box,etc.



開孔尺寸

商品型號		表面顏色
有鎖	無鎖	
	TM-7322-2B	黑色塗裝
TM-7322-1W	TM-7322-2W	銀色塗裝