

Lift-and turn compression latch

商品介紹 Product description

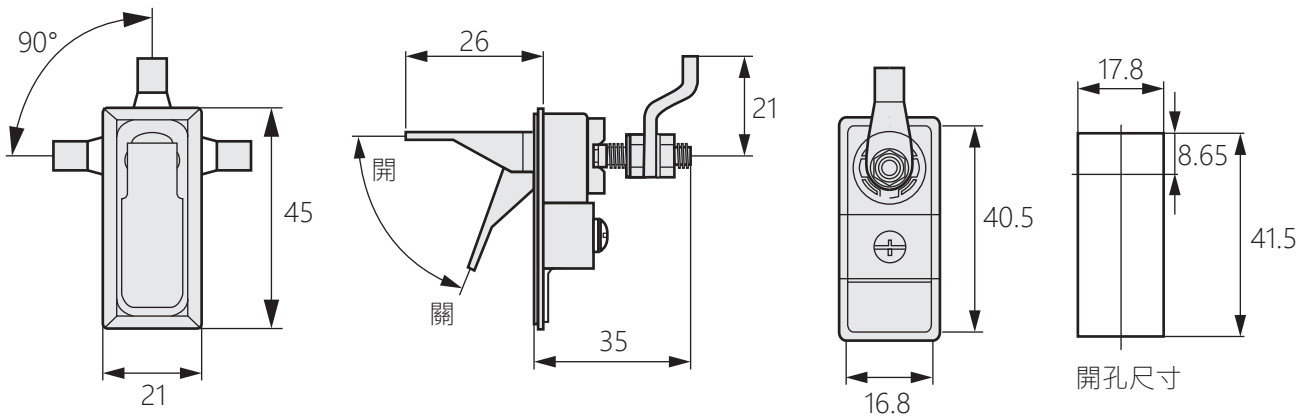
只要拉起手柄就能釋放壓縮，轉動就能將門擋片從門框中旋轉出來。



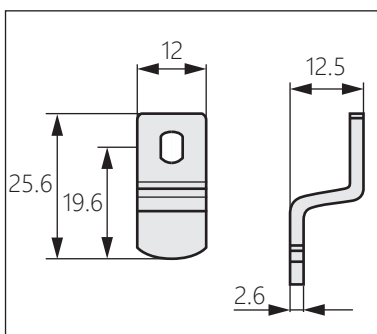
- 材質：鋅合金
- 表面處理：黑色塗裝、鍍鉻
- 備註：可選擋片 TH-0105、TH-0106  
TH-0107、TH-0108

Just pull up the handle to release the compression, and turn to rotate the door stopper out of the door frame.

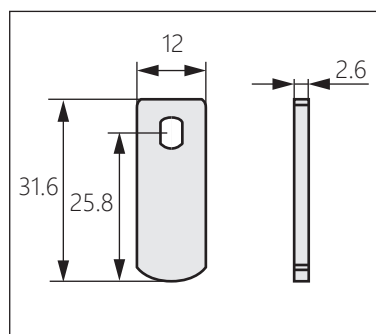
- Material : Zinc alloy(ZDC)
- Finish : Black painting、Chrome plating
- Notes : Optional baffle TH-0105、TH-0106  
TH-0107、TH-0108



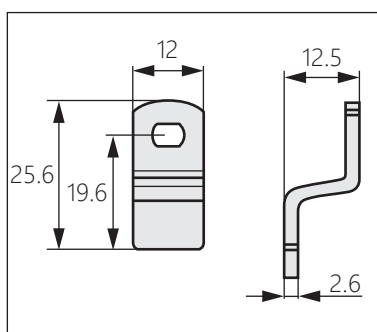
[ TH-0105 ]



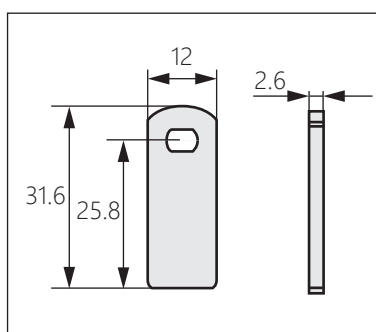
[ TH-0106 ]



[ TH-0107 ]



[ TH-0108 ]



商品型號	表面處理
TM-733-1	黑色塗裝
TM-733-2	亮鉻