

Waterproof cam lock

商品介紹 Product description

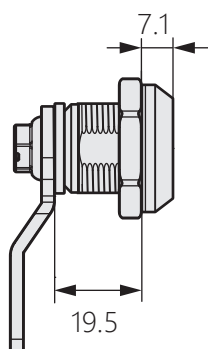
- 1.防水設計：內部設置 O 型環，外部使用防水墊片
- 2.左右開門通用：變更門擋片以及方向限位擋板的方向，即可實現左右開門使用。



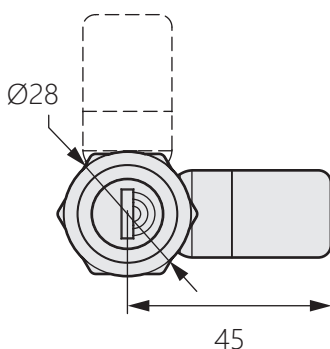
- 材質：鋅合金
- 表面處理：鍍鉻
- 檔片選擇：TH-4500-S, TH-4500
TH-4507-S, TH-4507
TH-4516-S, TH-4516
- 用途：機櫃、配分電盤、機械設備

- 1.Waterproof design: O-ring is set inside and waterproof gasket is used outside.
- 2.Common for left and right door opening: Change the direction of the door stopper and the direction limit baffle to open.

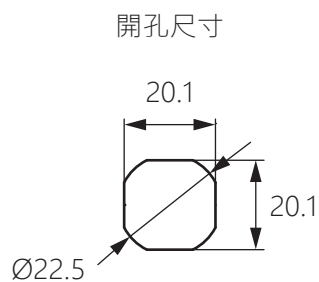
- Material: Zinc alloy
- Finish: Black painting
- File selection: TH-4500-S, TH-4500
TH-4507-S, TH-4507
TH-4516-S, TH-4516
- Uses: Cabinets, distribution and distribution panels, mechanical equipment.



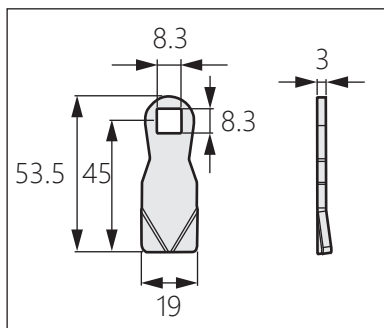
[TH-4500-S]
[TH-4500]



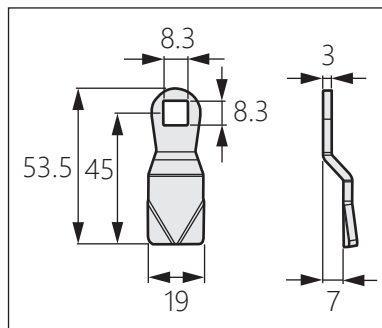
[TH-4507-S]
[TH-4507]



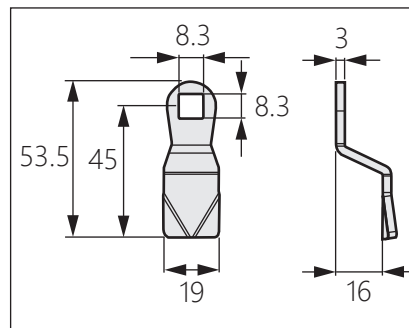
開孔尺寸



商品型號	材質
TH-4500	鐵
TH-4500-S	不鏽鋼



商品型號	材質
TH-4507	鐵
TH-4507-S	不鏽鋼



商品型號	材質
TH-4516	鐵
TH-4516-S	不鏽鋼