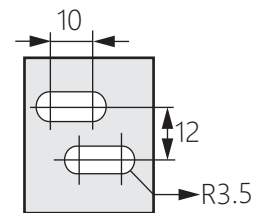
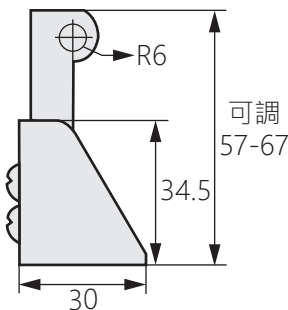
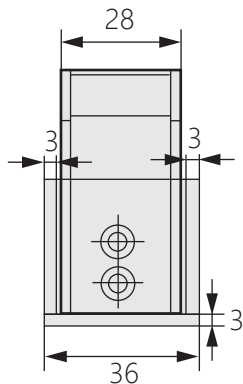
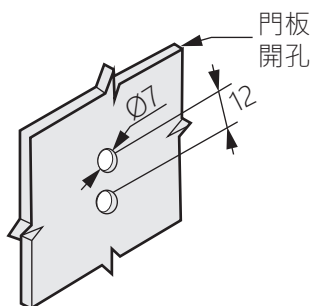
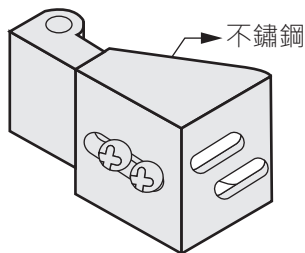
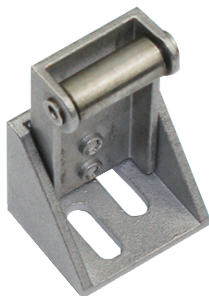


壓縮門扣



TM-80-4

Compression catch



商品介紹 Product description

1. 迫緊高度可調節。
2. 安裝在門側邊無箱體的門框上，即凸門安裝。

- 材質：不鏽鋼(SUS304)
- 表面處理：不鏽鋼本色
- 用途：烤箱、試驗箱、密封性能好的箱體
- 備註：可與TM-80.TM-90配合使用

1. The pressing height can be adjusted.
2. Install on the door frame without a box on the side of the door, that is, convex door installation.

- Material: Stainless steel(SUS304)
- Finish: Stainless steel
- Uses: Oven, test chamber, cabinet with good sealing performance.
- Notes: Can be used with TM-80.TM-90.