

密封型把手鎖



TM-8113

Sealed handle lock



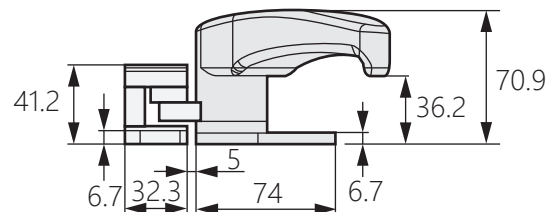
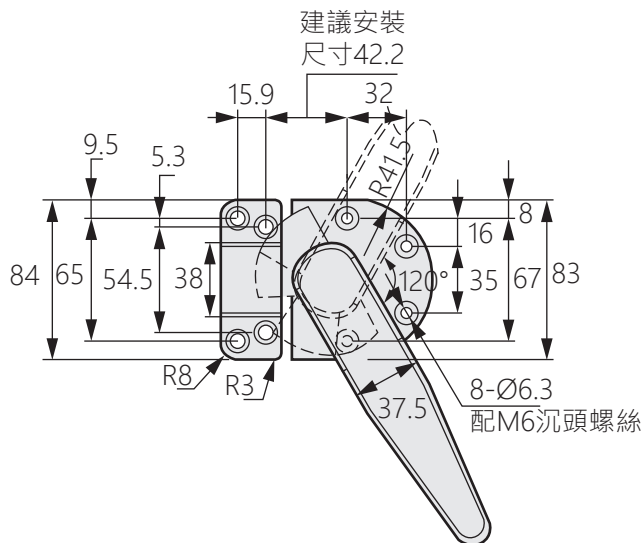
商品介紹 Product description

- 1.座子高度可調節·迫緊功能強。
- 2.手柄有包膠材質·有效隔絕高溫。

- 材質：鋅合金(ZDC)
- 表面處理：鍍亮鉻
- 用途：廚房設備、蒸氣箱、烤箱等

1. The height of the seat can be adjusted, and the pressing function is strong.
2. The handle is made of rubber-covered material, which effectively isolates high temperatures.

- Material: Zinc alloy(ZDC)
- Finish: Bright chrome
- Uses: Kitchen equipment, steam box, oven, etc.



商品型號	樣式
TM-8113-L	左開
TM-8113-R	右開