

不鏽鋼迫緊式把手門鎖



TM-8118

Stainless steel pressing handle door lock



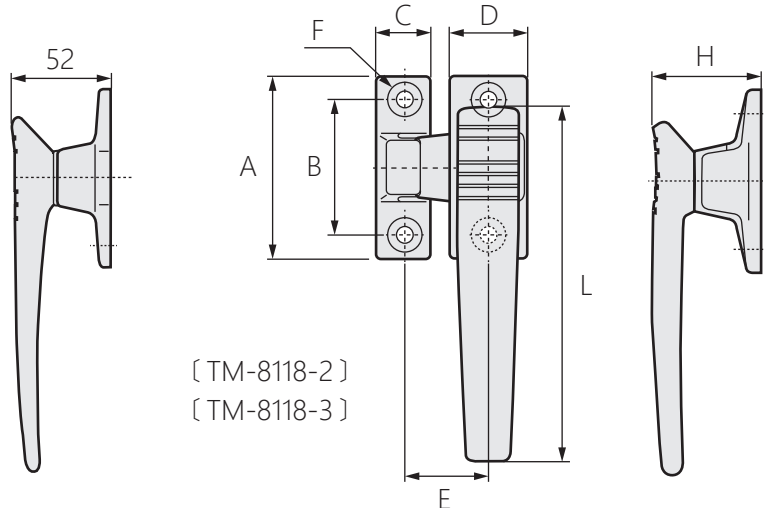
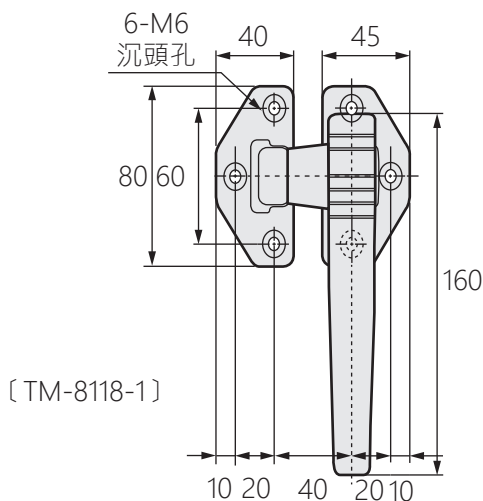
商品介紹 Product description

斜面迫緊設計，可將門強力迫緊。

- 材質：不鏽鋼316脫蠟鑄造
- 表面處理：鏡面拋光
- 用途：半導體工程、機械五金等

The inclined surface tight design can tightly tighten the door forcefully.

- Material: Stainless steel 316 dewaxing casting
- Finish: Mirror reflection
- Uses: Semiconductor engineering, mechanical hardware, etc.



商品型號	L	C	D	A	H	B	E	F
TM-8118-2	130	20	28	70	44	50	30	4-M5
TM-8118-3	105	16	23	54	32	40	25	4-M5