

Rotation type compression latch

### 商品介紹 Product description

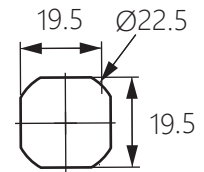
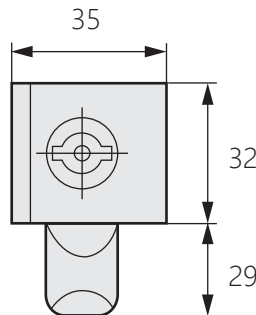
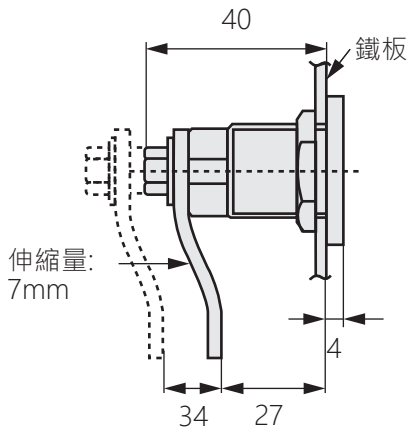
適用於防震動、密封、高品質的組件，能快速安全關閉門板。迫緊動作可將門板及門框拉緊，以確保密封狀態，並有助於減少或消除因震動所導致的噪音以及撞擊聲，更可防止因搖晃或震動而導致的意外開啟。



- 材質：主體(鋅合金)、門檔片(鐵)
- 表面處理：鎖體-(黑色塗裝)、門檔片(鍍鋅)
- 用途：航空航天、巴士和客車等。

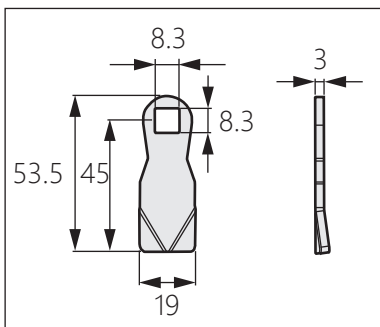
Suitable for anti-vibration, sealing, high-quality components, which can close the door quickly and safely. The pressing action can tighten the door panel and the door frame to ensure the sealing state, and help to reduce or eliminate the noise and impact caused by vibration, and can prevent accidental opening due to shaking or vibration.

- Material: Main Body-Zinc Alloy(ZDC)  
Cam-Iron
- Finish: Main Body-Black painting  
Cam-Zinc Plated
- Uses: Aerospace, buses and passenger cars,etc.

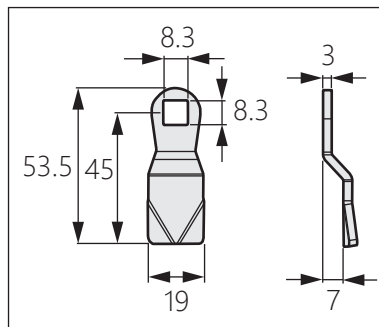


開孔尺寸

[ TH-4500 ]



[ TH-4507 ]



[ TH-4516 ]

