

Waterproof forced door buckle

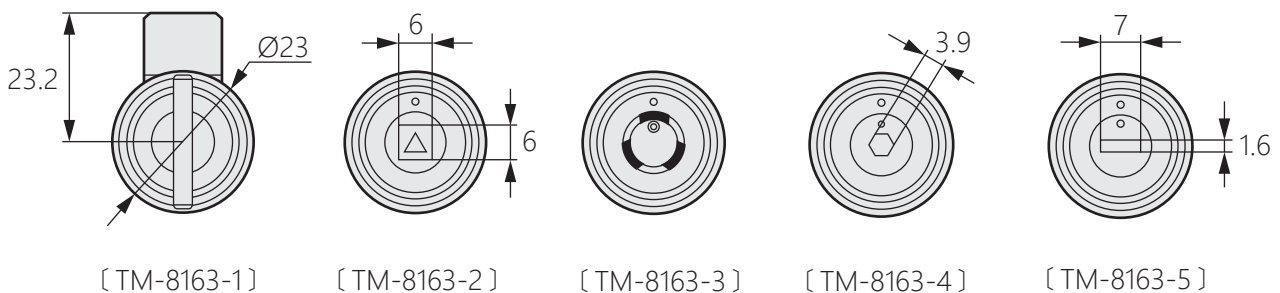
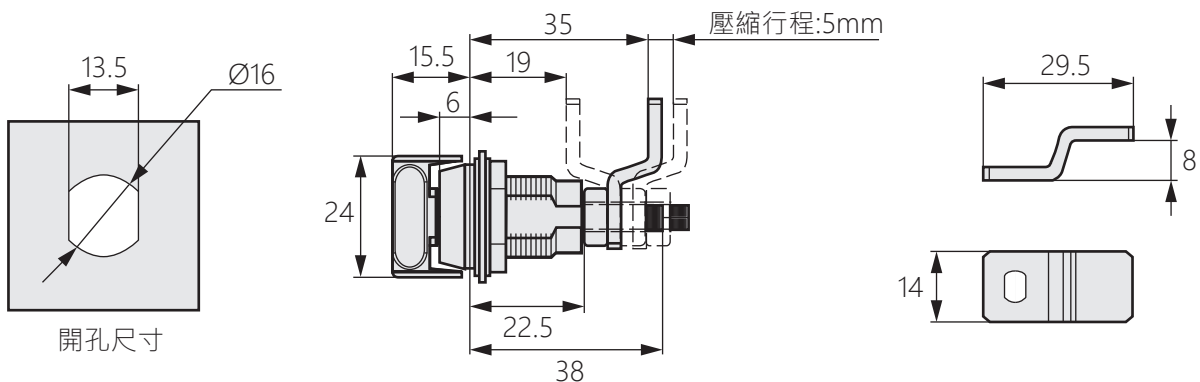
商品介紹 Product description

- 1.門擋片迫緊行程:5mm
- 2.適用門板厚度:0.8~12mm
- 3.適用於防震動、密封、高品質的組件，能快速安全關閉門板。迫緊動作可將門板及門框拉緊，以確保密封狀態，並有助於減少或消除因震動所導致的噪音以及撞擊聲，更可防止因搖晃或震動而導致的意外開啟。

- 材質：主體(鋅合金)、門擋片(鐵)
- 表面處理：主體(黑色塗裝)、門擋片(鍍鋅)

- 1.Compression distance: 5mm
- 2.Panel thickness: 0.8~12mm
- 3.Suitable for anti-vibration, sealing, high-quality components, which can close the door quickly and safely. The pressing action can tighten the door panel and door frame, and help reduce or eliminate the noise and impact caused by vibration, and can prevent accidental opening due to shaking or vibration.

- Material: Main body (Zinc alloy), Baffle (Iron)
- Finish: Main body (Black painting)
Baffle (Galvanization)



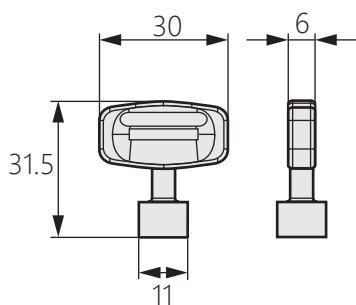
[TM-8163-1]

[TM-8163-2]

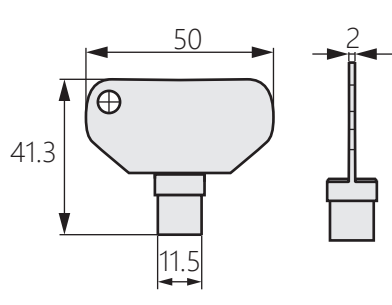
[TM-8163-3]

[TM-8163-4]

[TM-8163-5]



[TM-8163-2 KEY]



[TM-8163-3 KEY]

商品型號	樣式
TM-8163-1	旋轉式
TM-8163-2	四角型
TM-8163-3	棘型
TM-8163-4	內六角
TM-8163-5	一字型