

Rotation type compression latch

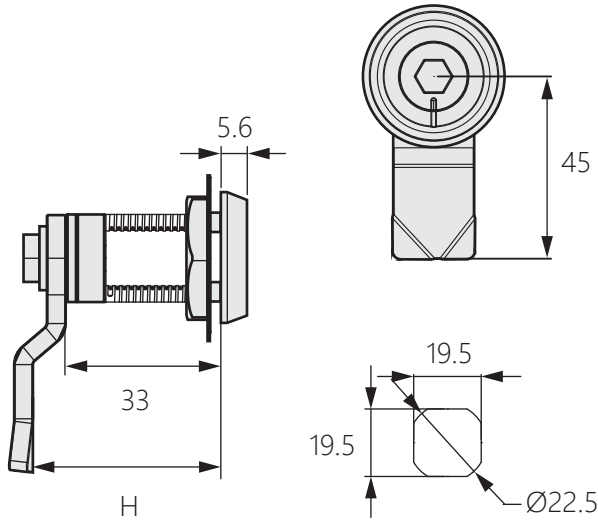
商品介紹 Product description

適用於防震動、密封、高品質的組件，能快速安全關閉門板。迫緊動作可將門板及門框拉緊，以確保密封狀態，並有助於減少或消除因震動所導致的噪音以及撞擊聲，更可防止因搖晃或震動而導致的意外開啟。



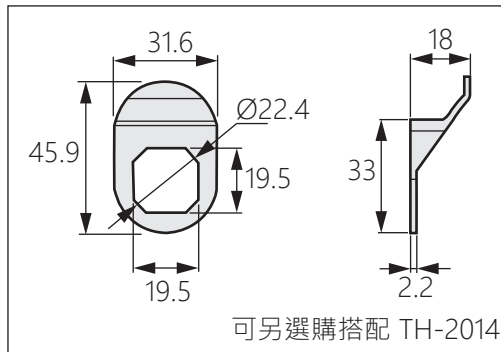
- 材質：鋅合金
- 表面處理：鎖體(黑色烤漆)、檔片(鍍鋅)
- 檔片選擇：TH-4500-S, TH-4500
TH-4507-S, TH-4507
TH-4516-S, TH-4516
- 用途：軌道交通、航空航天、巴士和客車等

Suitable for anti-vibration, sealing, high-quality components, and can close the door quickly and safely. The pressing action can tighten the door panel and the door frame to ensure the sealing state, and helps to reduce or eliminate the noise and impact caused by vibration, and can prevent accidental opening due to shaking or vibration.

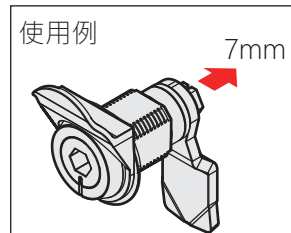


開孔尺寸

- Material: Zinc alloy
- Finish: Main body(Black painting)
Cam(Zinc Plated)
- File selection: TH-4500-S, TH-4500
TH-4507-S, TH-4507
TH-4516-S, TH-4516
- Uses: Rail transit, aerospace, bus and bus, etc.



可另選購搭配 TH-2014

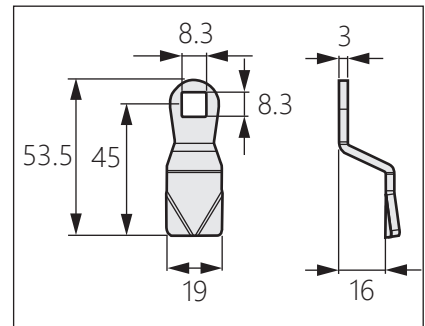
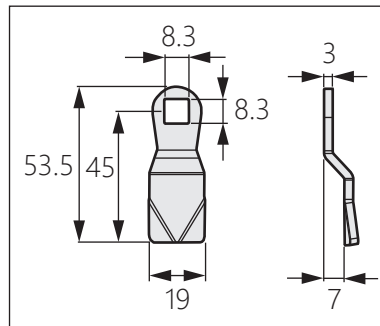
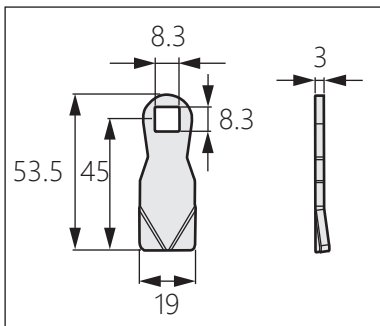


擋片型號	深度H
TH-4500	33
TH-4507	40
TH-4516	49

[TH-4500-S]
[TH-4500]

[TH-4507-S]
[TH-4507]

[TH-4516-S]
[TH-4516]



商品型號	材質
TH-4500	鐵
TH-4500-S	不鏽鋼

商品型號	材質
TH-4507	鐵
TH-4507-S	不鏽鋼

商品型號	材質
TH-4516	鐵
TH-4516-S	不鏽鋼