

防水型圓鎖



TM-8172

Waterproof cam lock

商品介紹 Product description

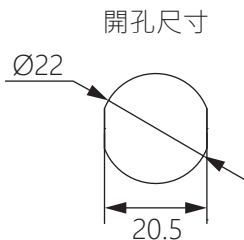
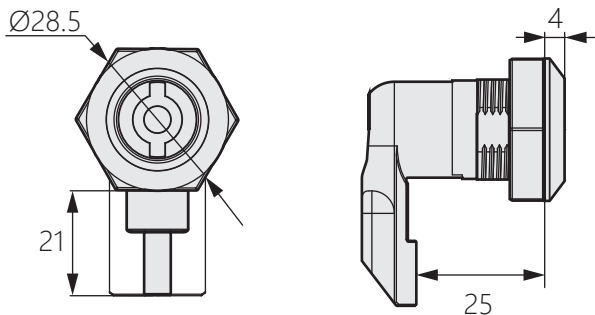
1. 防水設計：內部設置 O 型環。
2. 外部使用防水墊片，結構緊湊，重量輕。



- 材質：鋅合金
- 表面處理：黑色塗裝
- 用途：小型門板、檢查口

1. Waterproof design: O-ring is set inside.
2. Waterproof gasket is used outside, compact structure and light weight.

- Material: Zinc alloy(ZDC)
- Finish: Black paint
- Uses: Small door panels, inspection ports.



安裝示意圖

