

Waterproof flat lift and turn latch

商品介紹 Product description

1. 防水設計：內部設置O型環，外部使用防水墊片。
2. 左右兼用：變更門擋片及方向限位擋板的方向。



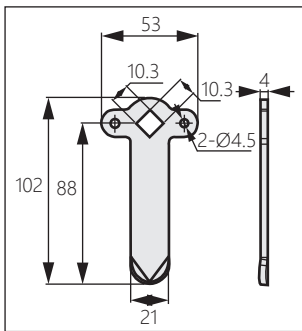
- 材質：鋅合金
- 表面處理：鍍鉻
- 用途：機櫃、配分電盤、機械設備
- 備註：可選擋片TH-002.TH-004.TM-818-1.-2

1. Waterproof design: O-ring is set inside and waterproof gasket is used outside.
2. Both left and right: change the direction of the door stopper and the direction limit baffle.

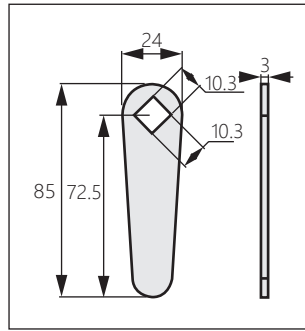
- Material : Zinc alloy(ZDC)
- Finish : Chrome plating
- Uses : Cabinets, distribution and distribution panels, mechanical equipment.
- Notes : Optional baffle TH-002.TH-004.

TM-818-1.-2

[TH-002] T字型

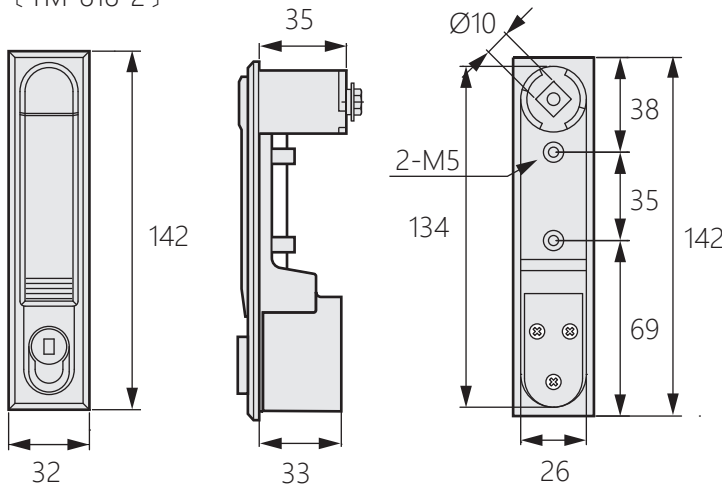


[TH-004] 一字型

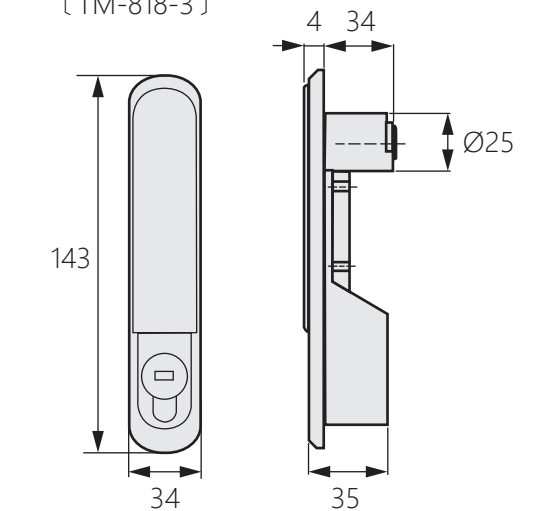


商品型號	顏色
TM-818-1	黑鉻
TM-818-2	亮鉻
TM-818-3	黑亞光

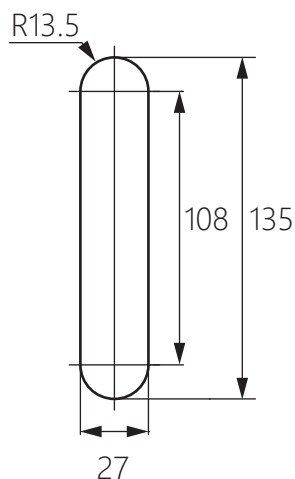
[TM-818-1]
[TM-818-2]



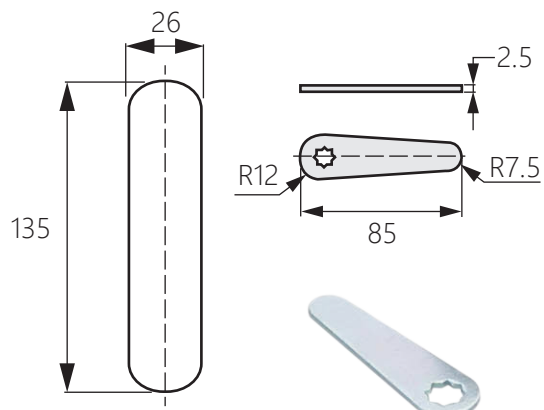
[TM-818-3]



開孔尺寸(1)



開孔尺寸(2)



開孔尺寸(3)