

滾輪迫緊式把手



TM-8361

Roller pressing handle

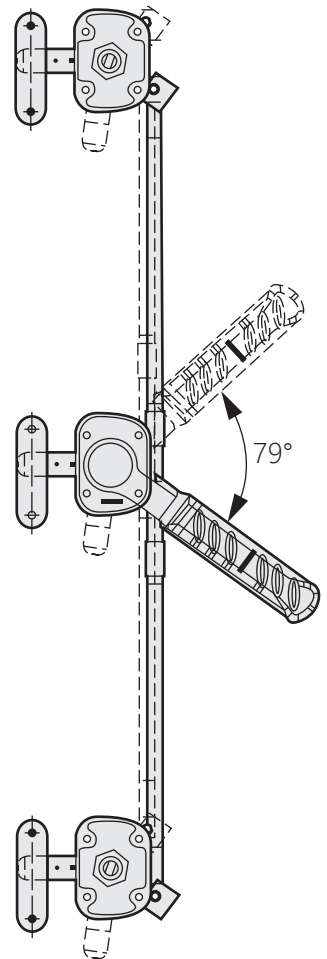
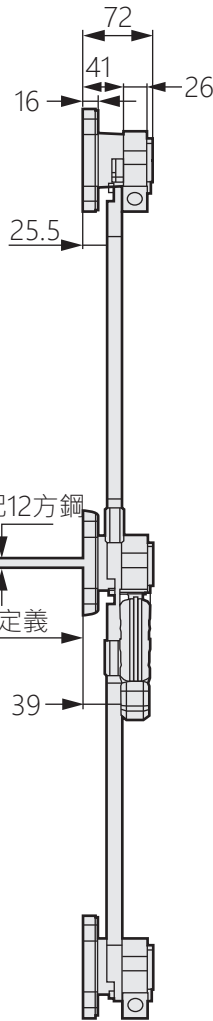
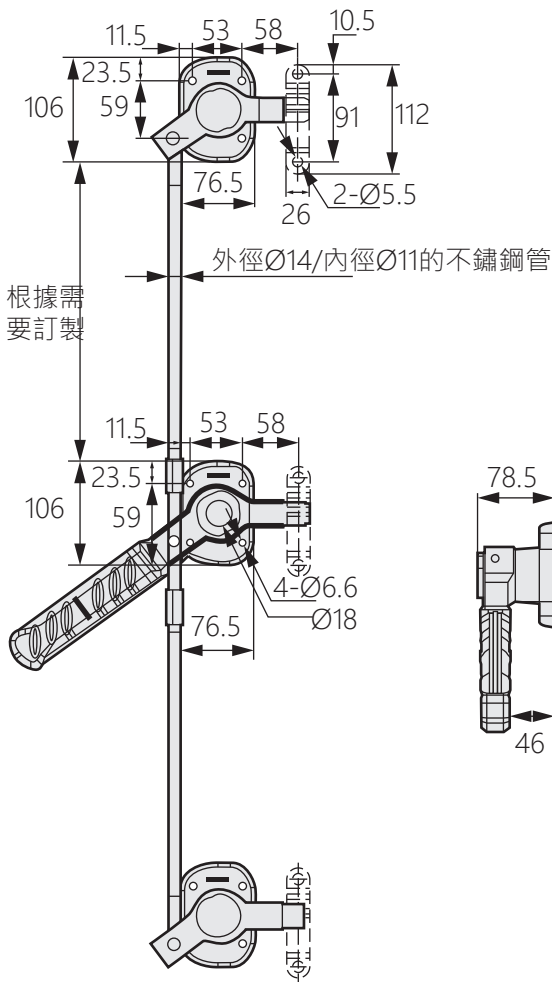
商品介紹 Product description

1. 內外開門兼用。
2. 具有強力迫緊功能。

- 材質：不鏽鋼SUS304
- 表面處理：鏡面拋光
- 用途：大型冷庫、隔音箱等大型密閉需求的門。
- 備註：有平門及凸門兩種安裝滑塊座
(TH-8361-1, TH-8361-2)

1. Open both inside and outside.
2. Has a powerful pressing function.

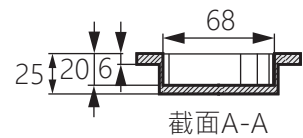
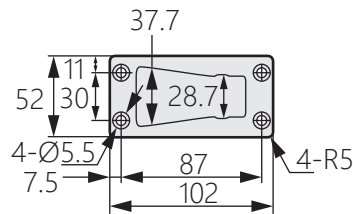
- Material: Stainless steel(SUS304)
- Finish: Mirror reflection
- Uses: Large-scale closed doors such as large-scale cold storages and soundproof boxes.
- Notes: Available with flat door and convex door
(TH-8361-1, TH-8361-2)



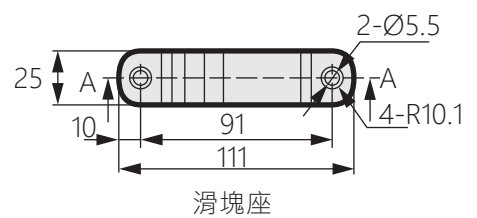
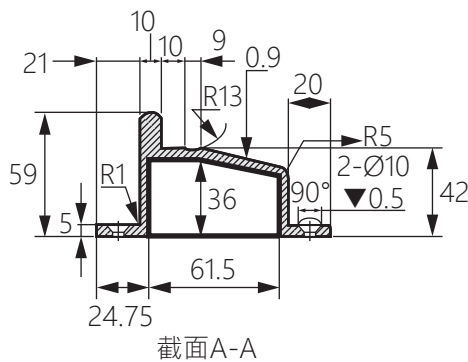
商品型號	樣式
TM-8361-L	左開
TM-8361-R	右開



[TH-8361-1]



[TH-8361-2]



商品型號	品名	數量
TH-8361-1	迫緊座	3
TH-8361-2	滑塊座	3