

Roller pressing handle



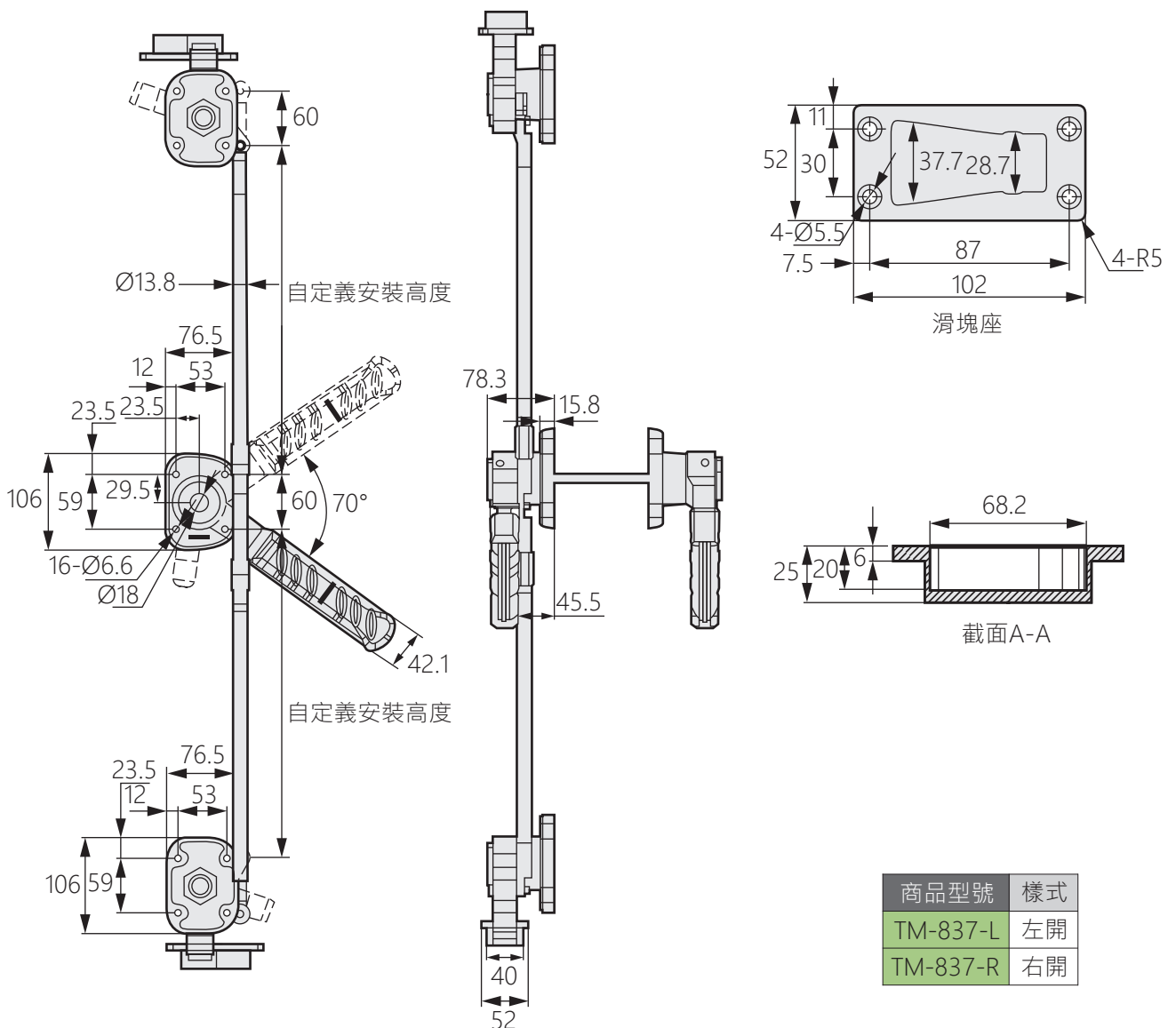
商品介紹 Product description

1. 內外開門兼用。
2. 具有強力迫緊功能。

- 材質：不鏽鋼SUS304
- 表面處理：鏡面拋光
- 用途：大型冷庫、隔音箱等大型密閉需求的門。

1. Open both inside and outside.
2. Has a powerful pressing function.

- Material: Stainless steel(SUS304)
- Finish: Mirror reflection
- Uses: Large-scale closed doors such as large-scale cold storages and soundproof boxes.



商品型號	樣式
TM-837-L	左開
TM-837-R	右開