

Waterproof flat lift and turn latch

商品介紹 Product description

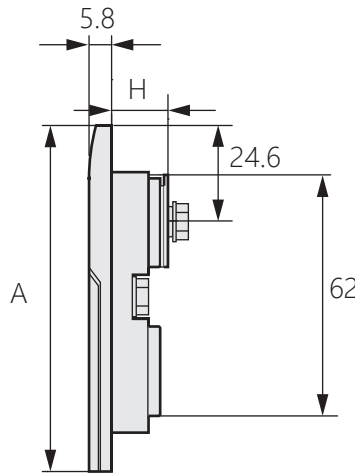
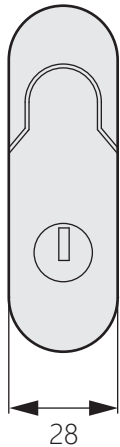
1. 防水設計：內部設置O型環，外部使用防水墊片。
2. 左右開門通用：變更門擋片及方向限位擋板的方向，即可實現左右開門使用。



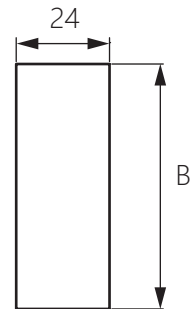
- 材質：鋅合金
- 表面處理：銀色塗裝
- 用途：機櫃、配分電盤、機械設備
- 備註：適用板厚1.5 ~ 3 mm

1. Waterproof design: O-ring is set inside and waterproof gasket is used outside.
2. Both left and right: change the direction of the door stopper and the direction limit baffle, it can be used to open the door from left to right.

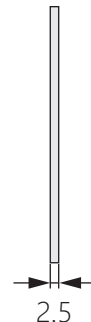
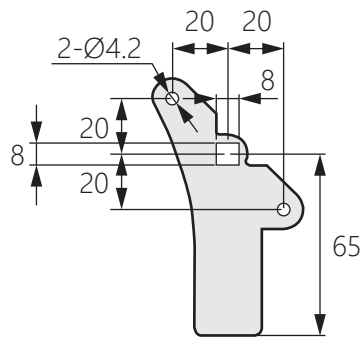
- Material : Zinc alloy
- Finish : Silver paint
- Uses : Cabinets, distribution and distribution panels, mechanical equipment.
- Notes : Applicable plate thickness 1.5 ~ 3 mm.



開孔尺寸



〔配件〕



商品型號		A	H	B
有鎖	無鎖			
TM-843-1-1	TM-843-2-1	89	14.5	63
TM-843-1-2	TM-843-2-2	107	14.5	80
TM-843-1-3	TM-843-2-3	123	14.5	96