

Waterproof flat lift and turn latch

商品介紹 Product description



TM-850-1 :

1. 抗腐蝕結構與材質，安裝於室外，也能保持門扣的外觀與功能不變，可自行加裝掛鎖。
  2. 可調整擋片深度距離27-55min。
  3. 適用板厚：1.2-8mm
- 材質：不鏽鋼(SUS304)
  - 表面處理：鏡面拋光
  - 用途：機櫃、配分電盤等。

TM-850-2 :

1. 可加掛鎖。
  2. 左右兼用型。
- 材質：鋅合金(ZDC)
  - 表面處理：鍍亮鉻
  - 用途：機櫃、配分電盤、機械設備

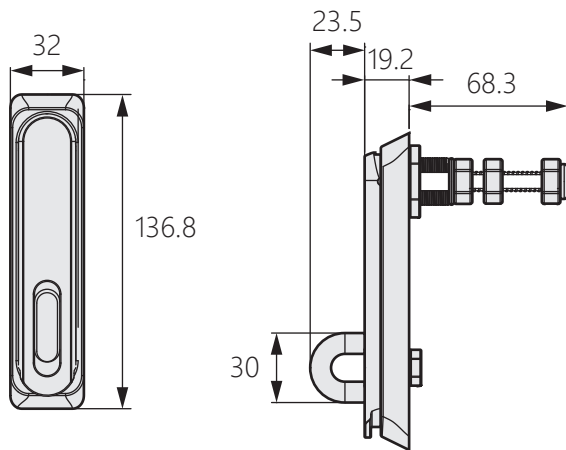
TM-850-1 :

1. Anti-corrosion structure and material, installed outdoors, can also keep the appearance and function of the door buckle.
  2. The depth of the baffle for 27-55min.
  3. Applicable board thickness: 1.2-8mm
- Material: stainless steel (SUS304)
  - Finish: mirror polishing
  - Uses: cabinets, power distribution panels, etc.

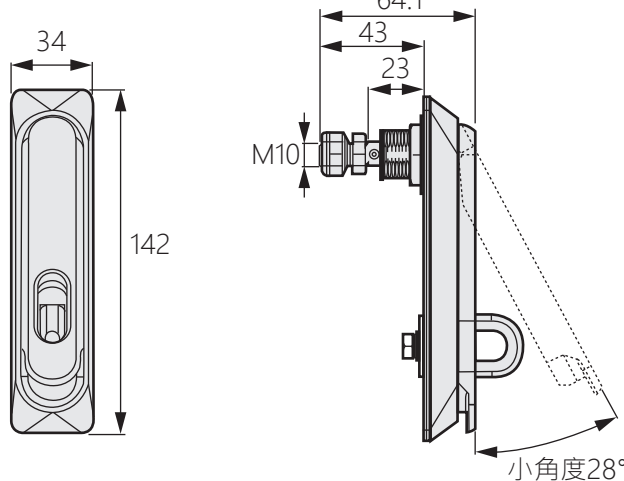
TM-850-2 :

1. A padlock can be added.
  2. Both left and right use type.
- Material: Zinc Alloy (ZDC)
  - Finish: Bright chrome plating
  - Uses: cabinets, power distribution panels, etc.

[ TM-850-1 ]

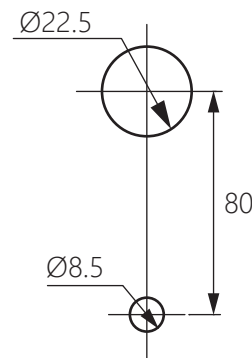


[ TM-850-2 ]



開孔尺寸

[ TM-850-1 ]



[ TM-850-2 ]

