

掛鎖式平面把手



TM-860

Padlock flat handle



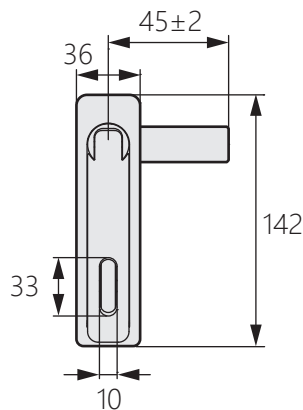
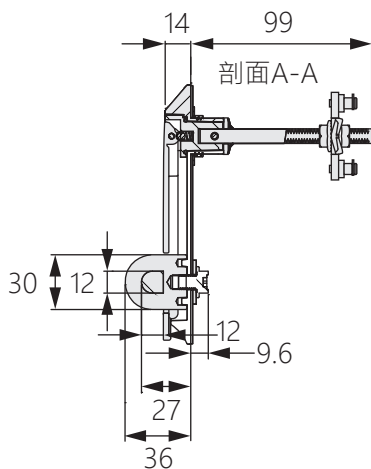
商品介紹 Product description

- 1.防水設計：內部設置O型環，外部使用防水墊片。
- 2.門擋片間距可調，適合單點或三點鎖定。

- 材質：主體、手柄-鋅合金 (ZDC)/螺柱、門擋片-鐵
- 表面處理：主體、手柄-鍍鉻/螺柱、門擋片-鍍鋅
- 用途：配分電盤、機械設備等

1. Waterproof design: O-ring is set inside and waterproof gasket is used outside.
2. The spacing of the door stoppers is adjustable, suitable for single-point or three-point locking.

- Material: Main body,Handle-Zinc alloy (ZDC)
Stud,Door stopper-iron
- Finish: Main body,Handle-Chrome plated
Stud,Door stop piece-Zinc plated
- Uses: Distribution and distribution panels,
mechanical equipment,etc.



開孔尺寸

