

Stainless steel door handle

商品介紹 Product description

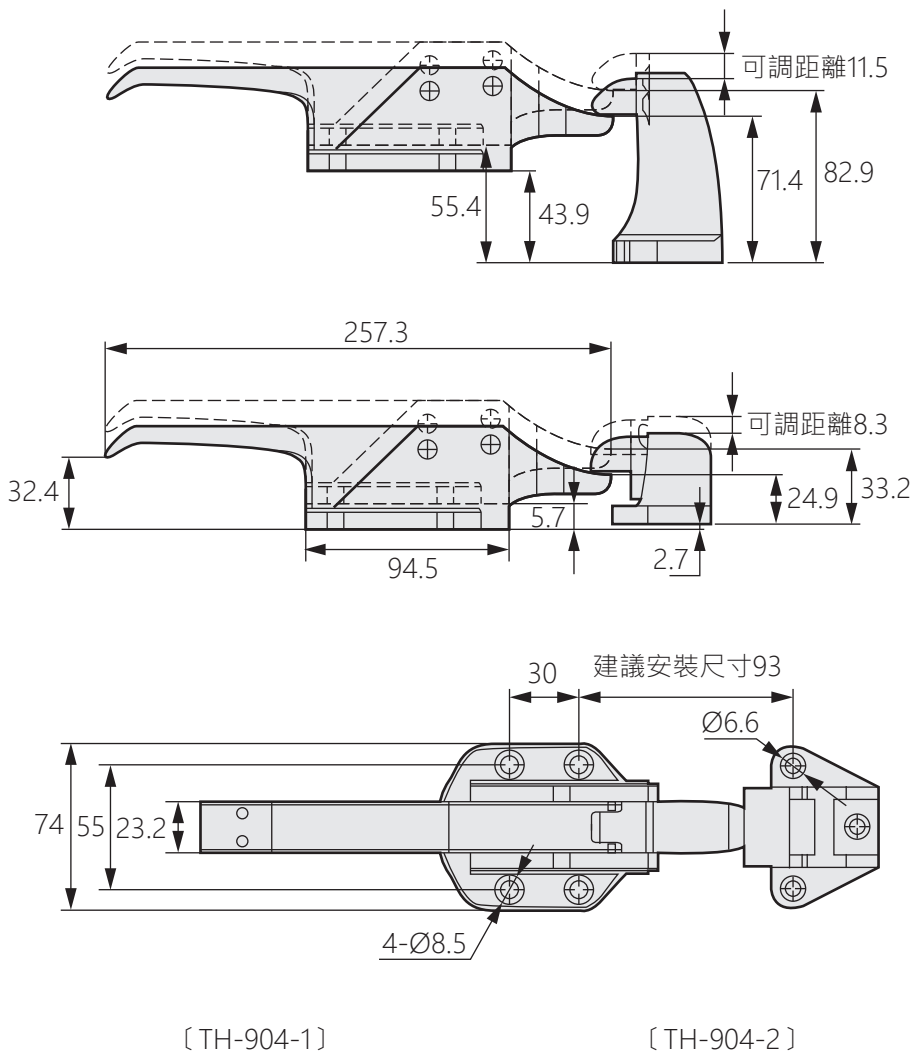
1. 具壓縮迫緊功能。
2. 可輕鬆開啟有負壓的門。



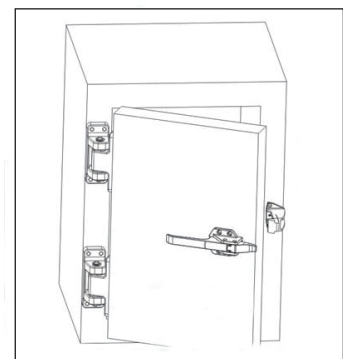
- 材質：不鏽鋼SUS304
- 表面處理：鏡面拋光
- 備註：可選配高座(TH-904-1)及矮座(TH-904-2)

1. With compression function.
2. The door with negative pressure can be opened easily.

- Material: Stainless steel SUS304
- Finish: Mirror reflection
- Notes: Optional high seat (TH-904-1) and low seat (TH-904-2)

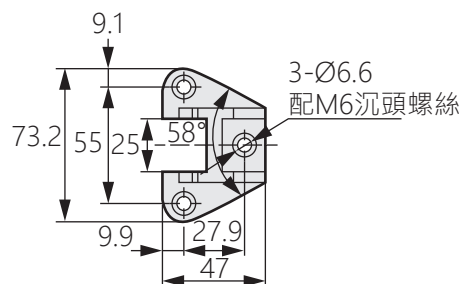
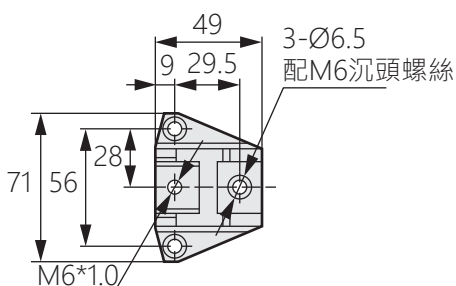


安裝圖



[TH-904-1]

[TH-904-2]



商品型號	樣式
TH-904-1	高座
TH-904-2	矮座